

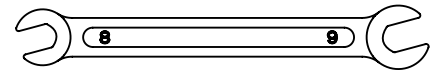
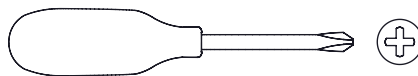
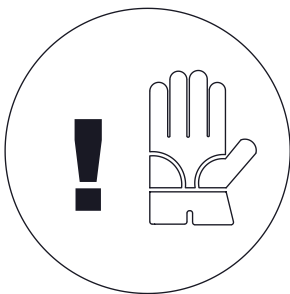


CÓD. 30902



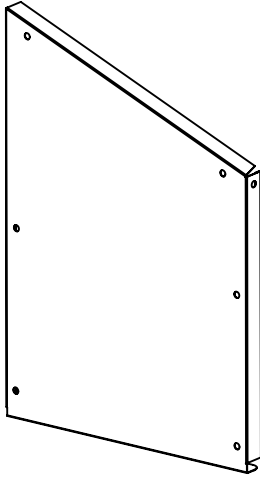
CÓD. 30905

IM 7 5057 200 - 12/2019

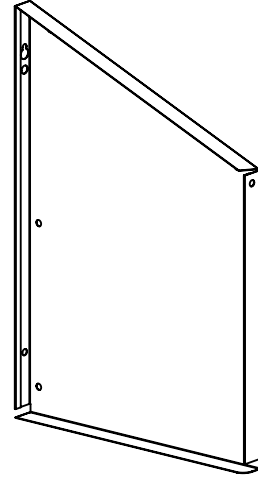




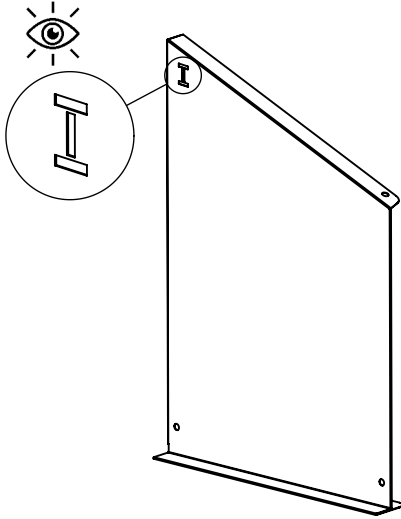
A.IZ (53088404) x1



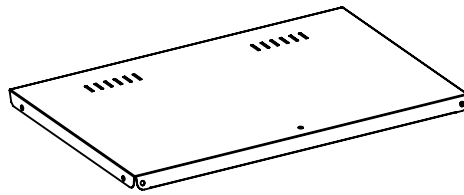
A.DR (53088405) x1



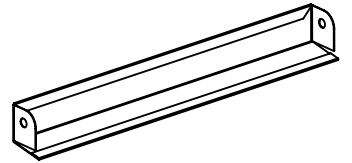
B (53088402) x1



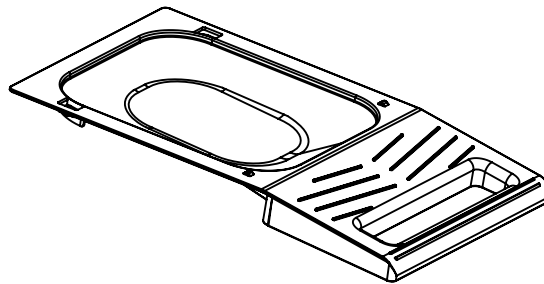
C (53088402) x1



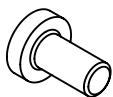
D (53088401) x4



E (03092600) x2



F (77026300) x12



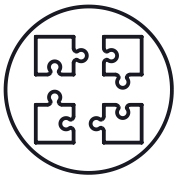
G (77256100) x12



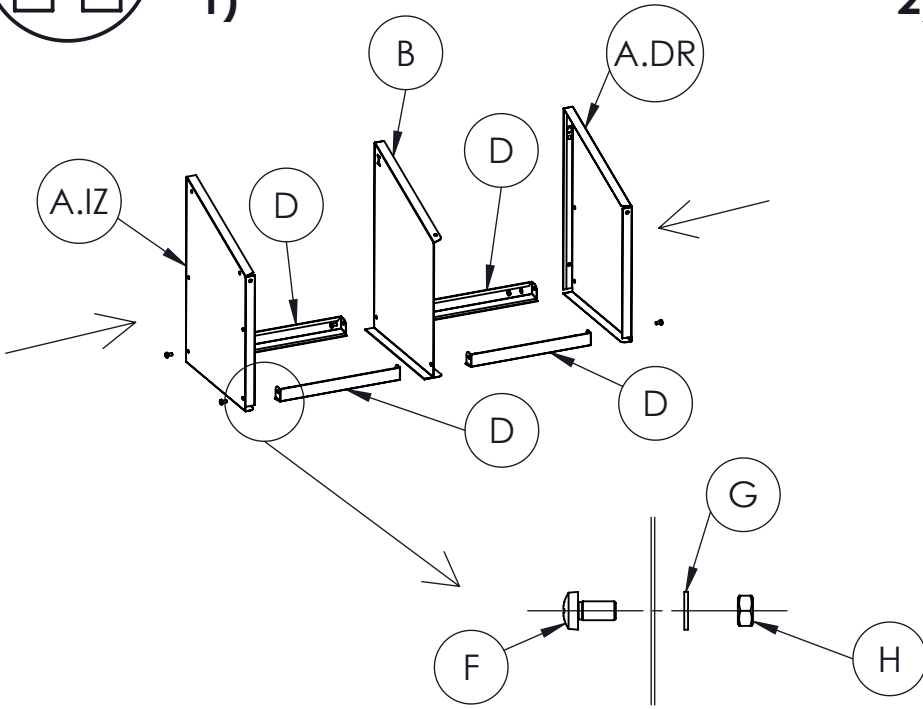
H (77130400) x12



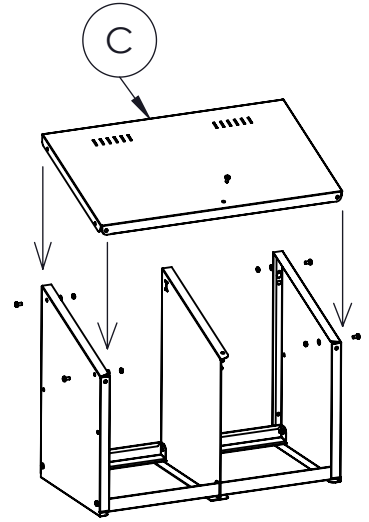
30905



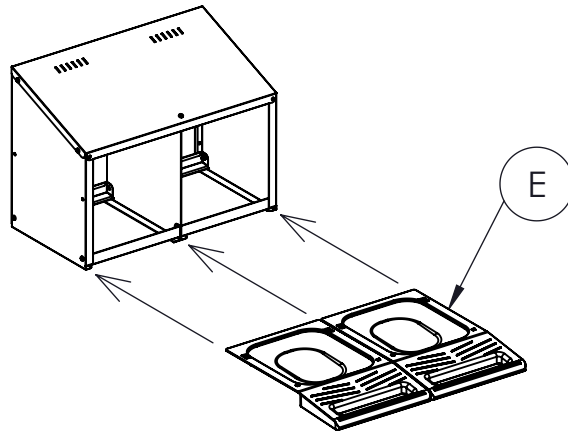
1)



2)



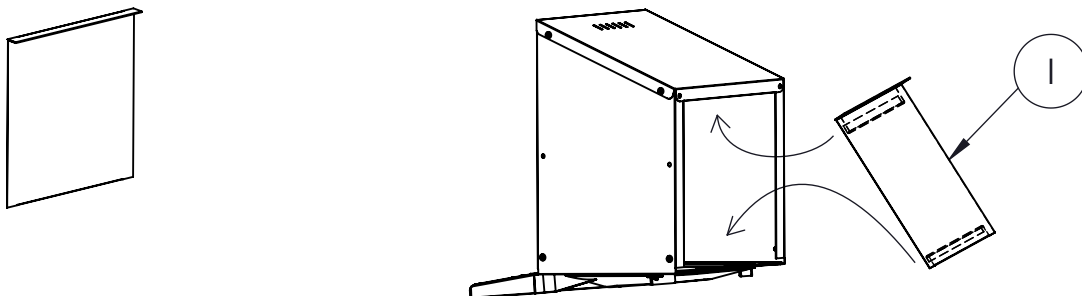
3)



30902

I (03089500) x2

4)



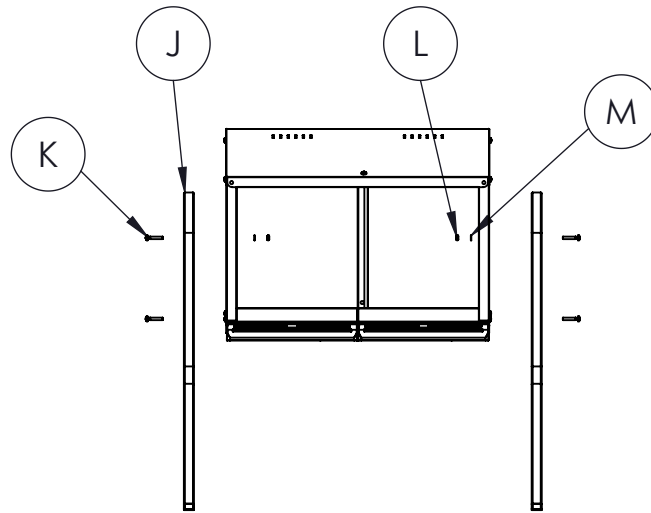
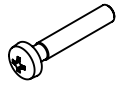
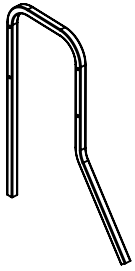
30908

J (53093001) x2

K (77049400) x8

L (01047600) x8

M (77230700) x8



30923

N (53093101) x2

K (77049400) x20

L (01047600) x20

M (77230700) x20

